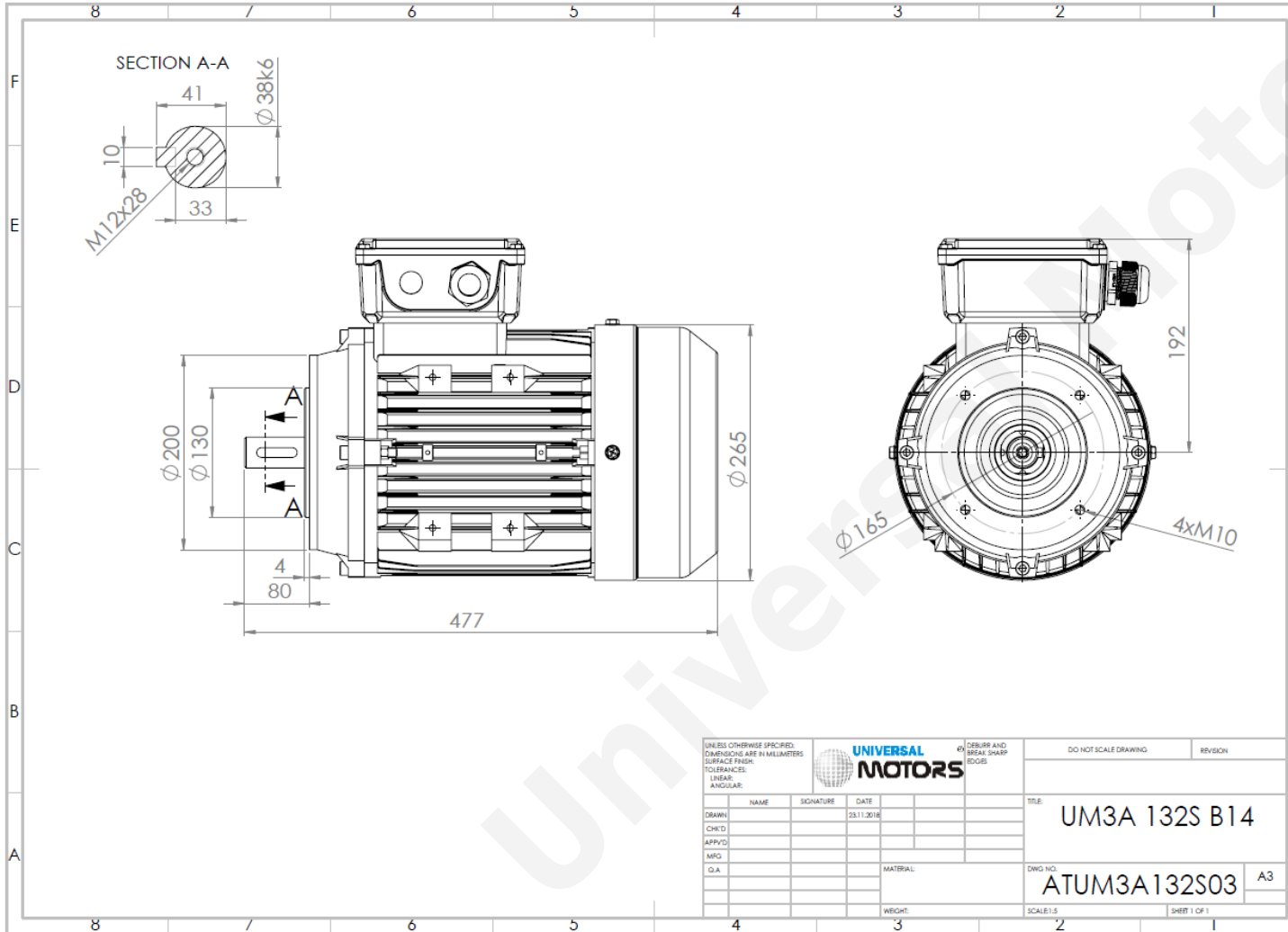




TECHNICAL DATA

Three Phase Electric Motors - Aluminum Frame
 PE31 132S-4
 5.5 kW / 7.5 Cv
 1455 RPM



Motor type:	PE31 132S-4
Output:	5.5 kW / 7.5 Cv
Speed (min ⁻¹):	1455 RPM
Frequency:	50 Hz
Voltage:	400 V
Current:	10.8 A
Power factor (Cos Ø):	0.82
Poles:	4
Insulation class:	F
Temperature rise Class:	B
Efficiency 50%:	87.8 %
Efficiency 75%:	88.7 %
Efficiency 100%:	89.6 %
Torque:	36.1 N.m
Tstarting/Tnominal:	2.0
Istarting/Inominal:	7.5
Tmaximum/Tnominal:	2.3
Noise:	75 Db(A)
Weight:	51 Kg
Bearing DE:	6308 2Z C3
Bearing NDE:	6308 2Z C3

UNLESS OTHERWISE SPECIFIED: DIMENSIONS ARE IN MILLIMETERS SURFACE FINISH: TOLERANCES: LINEAR: ANGULAR:				UNIVERSAL MOTORS		DEBURR AND BREAK SHARP EDGES		DO NOT SCALE DRAWING		REVISION	
DRAWN	NAME	SIGNATURE	DATE			TITLE:					
CHK'D			23.11.2018			UM3A 132S B14					
APP'VD						DWG NO.:		ATUM3A132S03		A3	
MFG				MATERIAL:		SCALE:1:1				SHEET 1 OF 1	
IQA				WEIGHT:							

Regime - S1

Altitude - 1000m

Environment Temperature - 40°C

CONTACTS:

UNIVERSAL MOTORS Tel: +351 252 299 080
 Rua de São Brás,745 Fax: +351 252 299 089
 4480-782 VILA DO CONDE Mail: geral@universalmotors.pt

* References applied only in the UK